

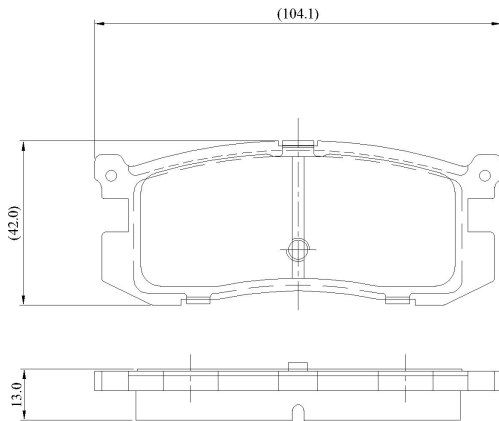
Make: MAZDA

Model: 626 (GE Series)

Part Number: ADB0818

Vehicle Manufacturing/Engine:

ADB0818



Specifications

Fitting Position	:	Rear
Model Date	:	03/92-07/77
Or. Caliper	:	Akebono

WVA	:	21558
FMSI	:	
Length	:	104.1
Width	:	42
Thickness	:	13