

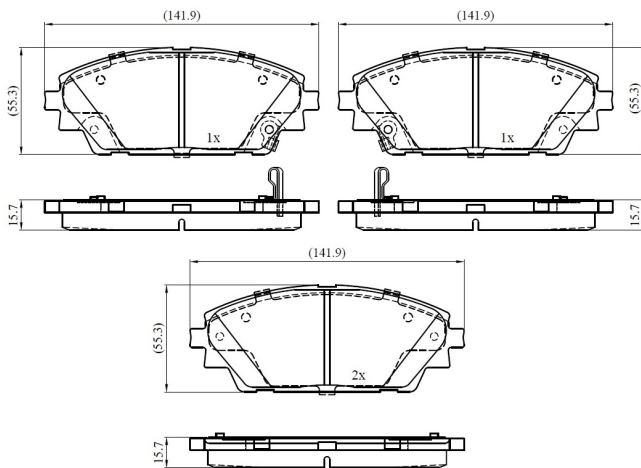
Make: MAZDA

Model: CX-30

Part Number: ADB33234

Vehicle Manufacturing/Engine:

ADB33234



Specifications

| | | |
|-------------------------|---|-------|
| Fitting Position | : | Front |
| Model Date | : | 2019- |
| Or. Caliper | : | |

| | | |
|------------------|---|-------|
| WVA | : | 25875 |
| FMSI | : | |
| Length | : | 141.9 |
| Width | : | 55.3 |
| Thickness | : | 15.7 |