

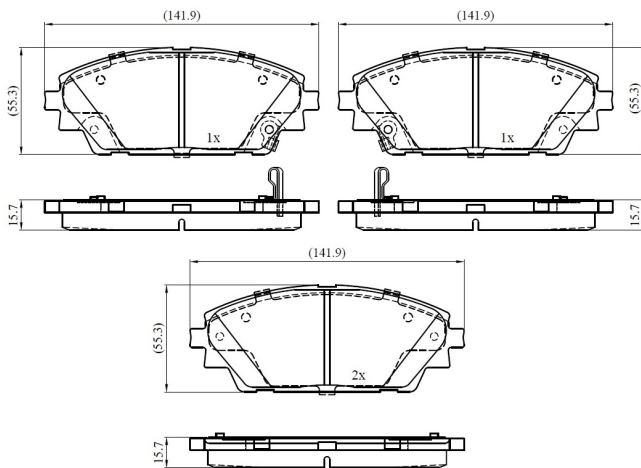
**Make: MAZDA**

**Model: CX-30**

**Part Number: ADB33234**

**Vehicle Manufacturing/Engine:**

ADB33234



## Specifications

<b>Fitting Position</b>	:	Front
<b>Model Date</b>	:	2021-
<b>Or. Caliper</b>	:	

<b>WVA</b>	:	25875
<b>FMSI</b>	:	
<b>Length</b>	:	141.9
<b>Width</b>	:	55.3
<b>Thickness</b>	:	15.7