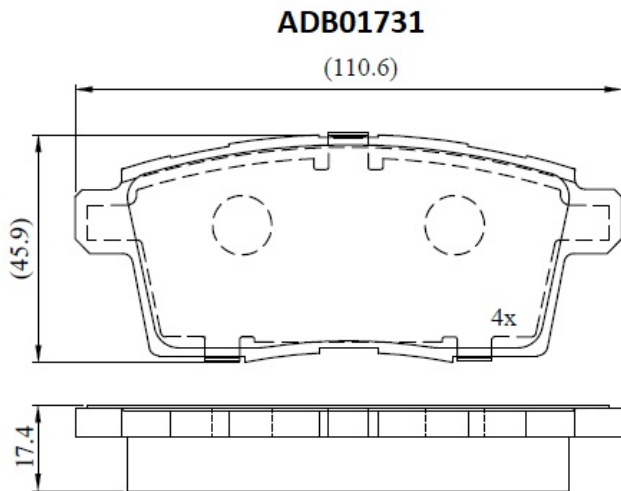


Make: MAZDA

Model: CX-7

Part Number: ADB01731

Vehicle Manufacturing/Engine:



Specifications

Fitting Position	:	Rear
Model Date	:	09/09->
Or. Caliper	:	Sumitomo

WVA	:	24545
FMSI	:	
Length	:	110.5
Width	:	45.8
Thickness	:	17.8