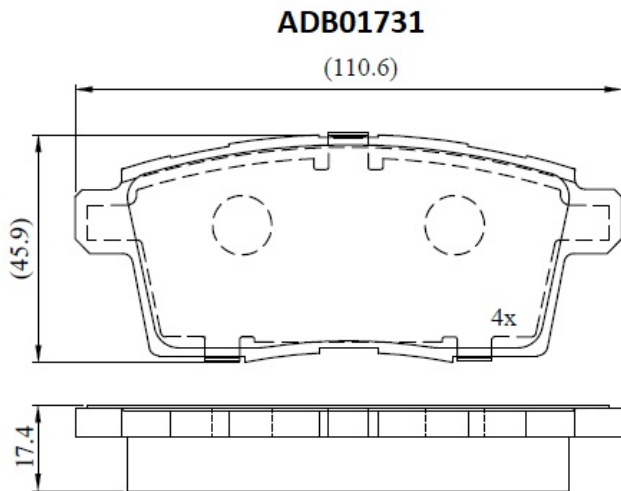


**Make: MAZDA**

**Model: CX-9**

**Part Number: ADB01731**

**Vehicle Manufacturing/Engine:**



### Specifications

<b>Fitting Position</b>	:	Rear
<b>Model Date</b>	:	01/07->
<b>Or. Caliper</b>	:	Sumitomo

<b>WVA</b>	:	24545
<b>FMSI</b>	:	
<b>Length</b>	:	110.5
<b>Width</b>	:	45.8
<b>Thickness</b>	:	17.8