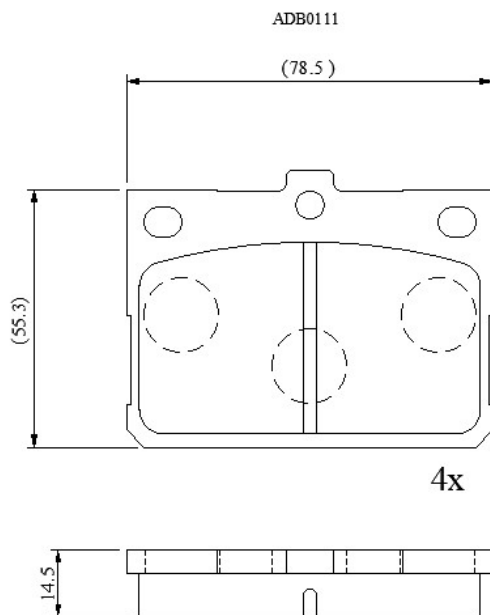


**Make: MAZDA**

**Model: RX-3**

**Part Number: ADB0111**

**Vehicle Manufacturing/Engine:**



## Specifications

<b>Fitting Position</b>	:	Front
<b>Model Date</b>	:	01/72-01/78
<b>Or. Caliper</b>	:	Sumitomo
<b>WVA</b>	:	20703
<b>FMSI</b>	:	
<b>Length</b>	:	78.5
<b>Width</b>	:	59.5
<b>Thickness</b>	:	14.5