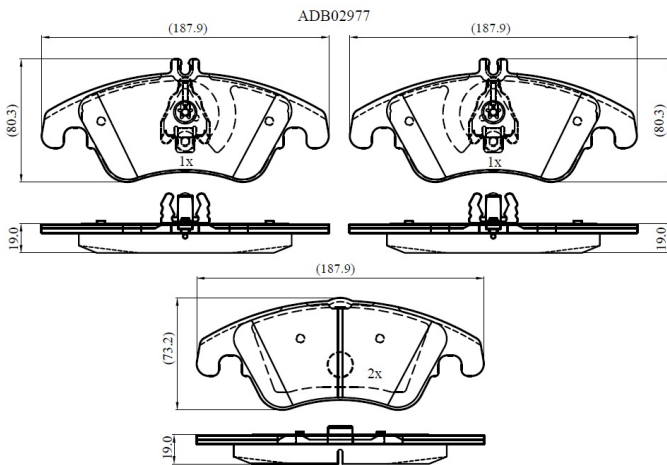


Make: MERCEDES-BENZ

Model: E-CLASS T-Model

Part Number: ADB02977

Vehicle Manufacturing/Engine:



Specifications

| | | |
|-------------------------|---|-----------|
| Fitting Position | : | Front |
| Model Date | : | 2009-2011 |
| Or. Caliper | : | |
| WVA | : | 24310 |

| | |
|------------------|---|
| FMSI | : |
| Length | : |
| Width | : |
| Thickness | : |