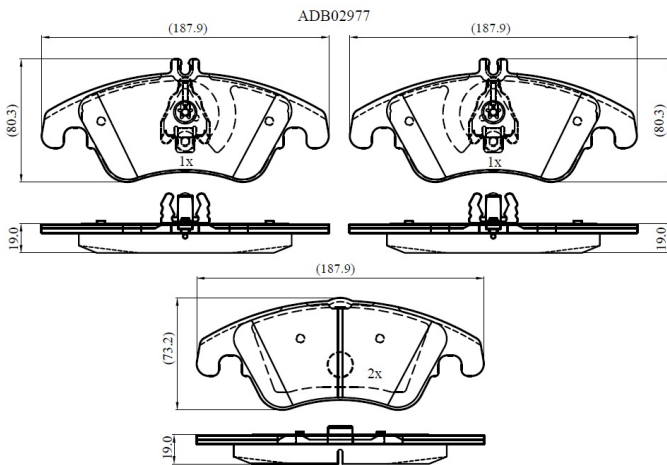


**Make: MERCEDES-BENZ**

**Model: E-Class**

**Part Number: ADB02977**

**Vehicle Manufacturing/Engine:**



### Specifications

|                         |   |           |
|-------------------------|---|-----------|
| <b>Fitting Position</b> | : | Front     |
| <b>Model Date</b>       | : | 2013-2015 |
| <b>Or. Caliper</b>      | : |           |
| <b>WVA</b>              | : | 24310     |

|                  |   |
|------------------|---|
| <b>FMSI</b>      | : |
| <b>Length</b>    | : |
| <b>Width</b>     | : |
| <b>Thickness</b> | : |