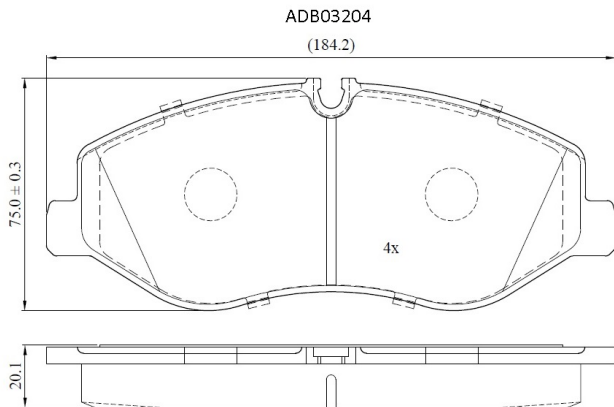


**Make: MERCEDES-BENZ**

**Model: V-CLASS**

**Part Number: ADB03204**

**Vehicle Manufacturing/Engine:**



### Specifications

|                         |   |       |
|-------------------------|---|-------|
| <b>Fitting Position</b> | : | Front |
| <b>Model Date</b>       | : | 2015- |
| <b>Or. Caliper</b>      | : |       |
| <b>WVA</b>              | : | 22062 |

|                  |   |       |
|------------------|---|-------|
| <b>FMSI</b>      | : |       |
| <b>Length</b>    | : | 184.2 |
| <b>Width</b>     | : | 75    |
| <b>Thickness</b> | : | 20.1  |