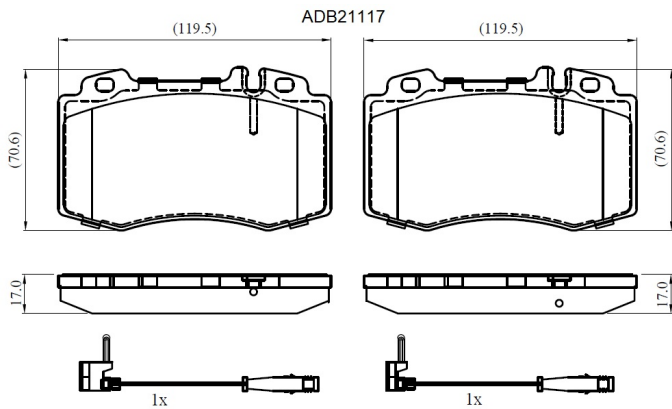


**Make: MERCEDES**

**Model: C Class (203)**

**Part Number: ADB21117**

**Vehicle Manufacturing/Engine:**



### Specifications

|                         |   |        |
|-------------------------|---|--------|
| <b>Fitting Position</b> | : | Front  |
| <b>Model Date</b>       | : | 05-Jul |
| <b>Or. Caliper</b>      | : |        |
| <b>WVA</b>              | : | 23271  |
| <b>FMSI</b>             | : |        |

|                  |   |       |
|------------------|---|-------|
| <b>Length</b>    | : | 119.5 |
| <b>Width</b>     | : | 70.6  |
| <b>Thickness</b> | : | 17    |