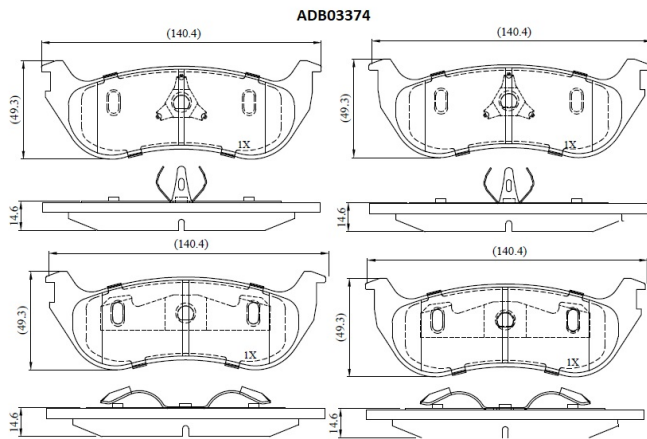


**Make: MERCURY**

**Model: Mountaineer**

**Part Number: ADB03374**

**Vehicle Manufacturing/Engine:**



### Specifications

<b>Fitting Position</b>	:	Rear
<b>Model Date</b>	:	10-
<b>Or. Caliper</b>	:	
<b>WVA</b>	:	

<b>FMSI</b>	:	7758-D881
<b>Length</b>	:	140.4
<b>Width</b>	:	49.3
<b>Thickness</b>	:	14.6