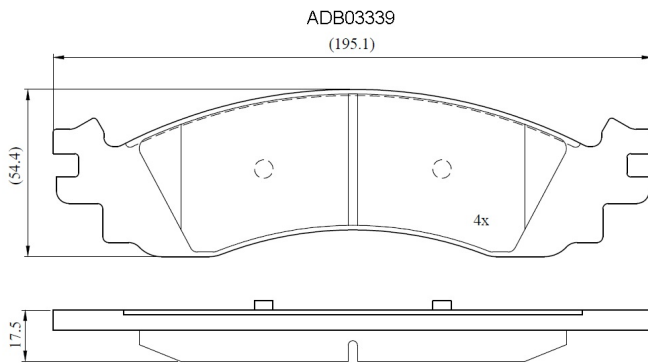


**Make: MERCURY**

**Model: TRUCK Mountaineer**

**Part Number: ADB03339**

**Vehicle Manufacturing/Engine:**



### Specifications

<b>Fitting Position</b>	:	Front
<b>Model Date</b>	:	06-Oct
<b>Or. Caliper</b>	:	
<b>WVA</b>	:	
<b>FMSI</b>	:	8268-D1158

<b>Length</b>	:	195.1
<b>Width</b>	:	54.4
<b>Thickness</b>	:	17.5