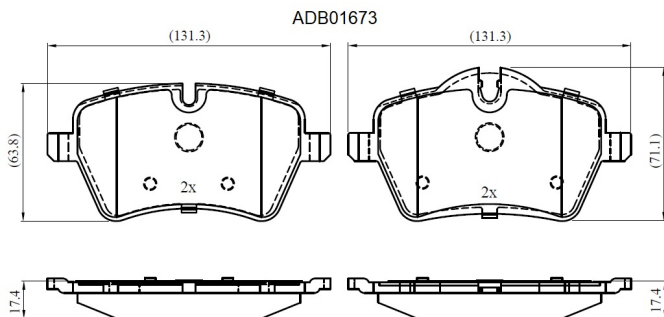


**Make: MINI**

**Model: Mini Clubman**

**Part Number: ADB01673**

**Vehicle Manufacturing/Engine:**



### Specifications

<b>Fitting Position</b>	:	Front
<b>Model Date</b>	:	10/07->
<b>Or. Caliper</b>	:	Lucas
<b>WVA</b>	:	2,39,84,23,985
<b>FMSI</b>	:	
<b>Length</b>	:	131.3

<b>Width</b>	:	63.8/71.1
<b>Thickness</b>	:	17.4