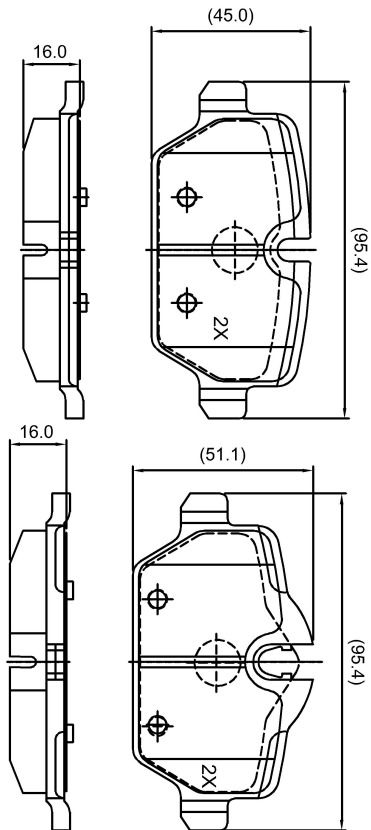


**Make: MINICOOPER**

**Model: COUNTRYMAN**

**Part Number: ADB03401**

**Vehicle Manufacturing/Engine:**



ADB03401

## Specifications

<b>Fitting Position</b>	:	Rear
<b>Model Date</b>	:	11-Dec
<b>Or. Caliper</b>	:	
<b>WVA</b>	:	
<b>FMSI</b>	:	D1554
<b>Length</b>	:	95.4
<b>Width</b>	:	45/51.1
<b>Thickness</b>	:	16