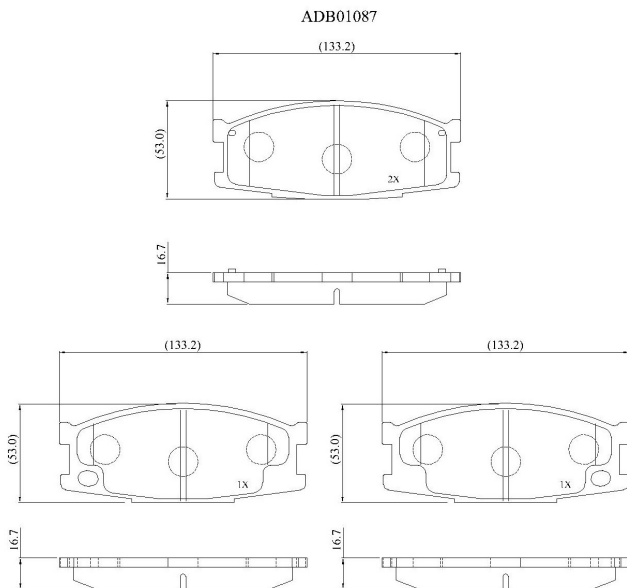


Make: MITSUBISHI

Model: Canter 35

Part Number: ADB01087

Vehicle Manufacturing/Engine:



Specifications

Fitting Position	:	Front
Model Date	:	01/99->

Or. Caliper	:	Sumitomo
WVA	:	23501/23941/23942
FMSI	:	
Length	:	133.2
Width	:	53.2/53.5
Thickness	:	17