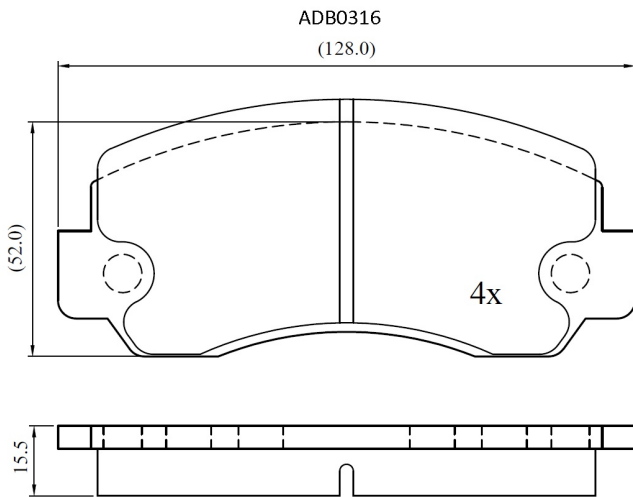


**Make: MITSUBISHI**

**Model: Galant (->85)**

**Part Number: ADB0316**

**Vehicle Manufacturing/Engine:**



### Specifications

<b>Fitting Position</b>	:	Front
<b>Model Date</b>	:	01/78-01/80
<b>Or. Caliper</b>	:	Sumitomo

<b>WVA</b>	:	2,04,76,21,109
<b>FMSI</b>	:	
<b>Length</b>	:	128
<b>Width</b>	:	58.5
<b>Thickness</b>	:	15.5