

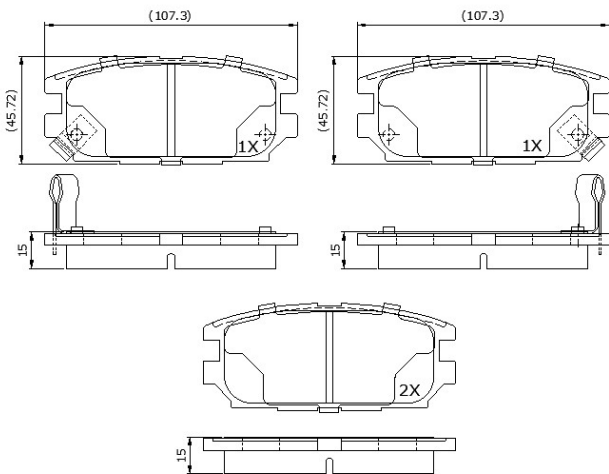
**Make: MITSUBISHI**

**Model: Lancer (10/92->)**

**Part Number: ADB3496**

**Vehicle Manufacturing/Engine:**

ADB3496



## Specifications

<b>Fitting Position</b>	:	Rear
<b>Model Date</b>	:	01/95-01/98
<b>Or. Caliper</b>	:	Akebono

<b>WVA</b>	:	23373
<b>FMSI</b>	:	
<b>Length</b>	:	107.3
<b>Width</b>	:	45.5
<b>Thickness</b>	:	15