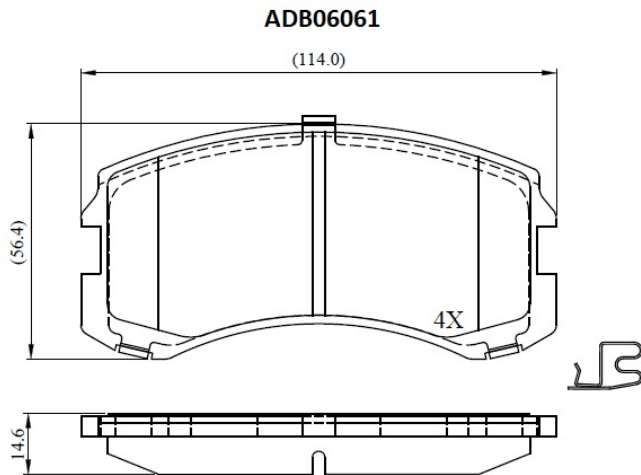


**Make: MITSUBISHI**

**Model: Lancer VI**

**Part Number: ADB06061**

**Vehicle Manufacturing/Engine:**



### Specifications

<b>Fitting Position</b>	:	Front
<b>Model Date</b>	:	Sep-95
<b>Or. Caliper</b>	:	

<b>WVA</b>	:	24291
<b>FMSI</b>	:	
<b>Length</b>	:	114
<b>Width</b>	:	56.4
<b>Thickness</b>	:	14.6