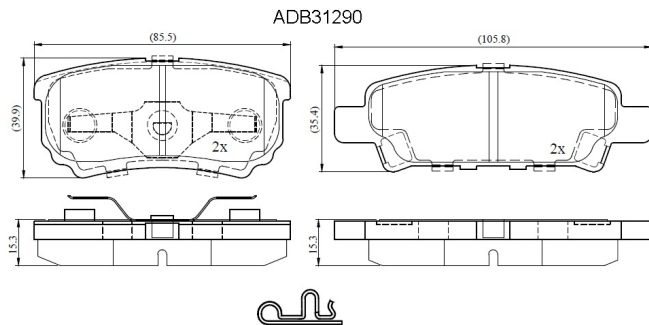


**Make: MITSUBISHI**

**Model: Lancer VII**

**Part Number: ADB31290**

**Vehicle Manufacturing/Engine:**



### Specifications

<b>Fitting Position</b>	:	Rear
<b>Model Date</b>	:	09/03-->
<b>Or. Caliper</b>	:	Akebono
<b>WVA</b>	:	2,40,14,24,015
<b>FMSI</b>	:	
<b>Length</b>	:	85.5/105.8

<b>Width</b>	:	40.0/35.5
<b>Thickness</b>	:	15.3