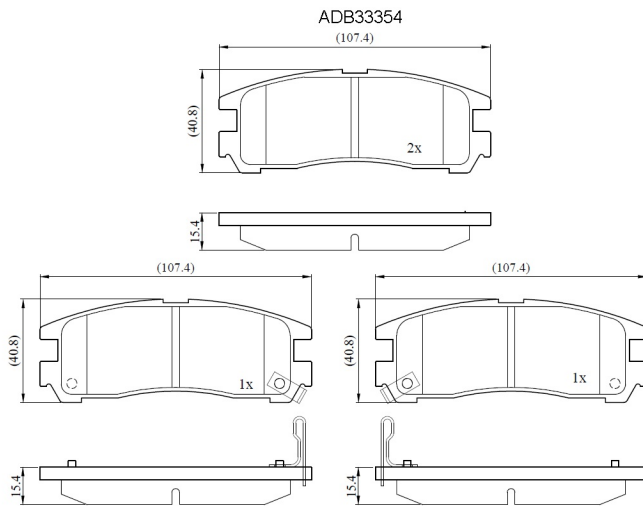


Make: MITSUBISHI

Model: TRUCK Expo

Part Number: ADB33354

Vehicle Manufacturing/Engine:



Specifications

Fitting Position	:	Rear
Model Date	:	92-95
Or. Caliper	:	

WVA	:	
FMSI	:	7272-D383
Length	:	107.4
Width	:	40.8
Thickness	:	15.4