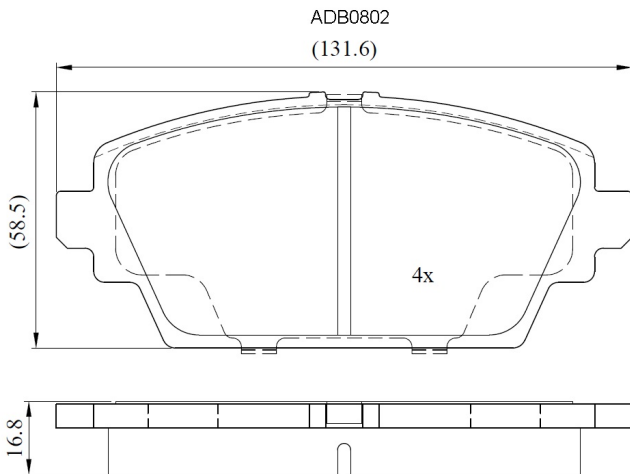


Make: NISSAN

Model: Almera Tino (07/00->)

Part Number: ADB0802

Vehicle Manufacturing/Engine:



Specifications

Fitting Position	:	Front
Model Date	:	07/00->
Or. Caliper	:	Lucas
WVA	:	

FMSI	:	
Length	:	131.6
Width	:	58.5
Thickness	:	17.2