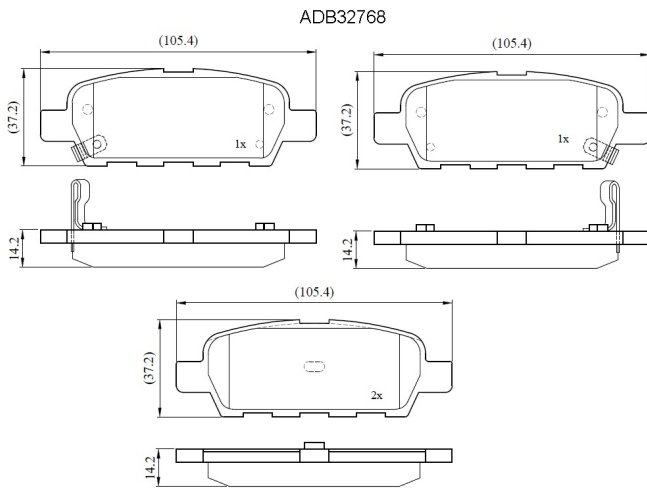


**Make: NISSAN**

**Model: Altima**

**Part Number: ADB32768**

**Vehicle Manufacturing/Engine:**



### Specifications

<b>Fitting Position</b>	:	Rear
<b>Model Date</b>	:	02-Dec
<b>Or. Caliper</b>	:	

<b>WVA</b>	:	
<b>FMSI</b>	:	7784-D905
<b>Length</b>	:	105.4
<b>Width</b>	:	37.2
<b>Thickness</b>	:	14.2