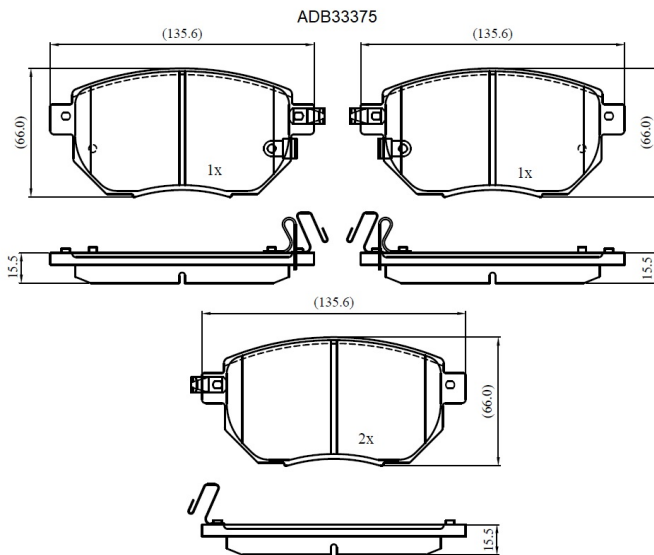


**Make: NISSAN**

**Model: Altima**

**Part Number: ADB33375**

**Vehicle Manufacturing/Engine:**



### Specifications

<b>Fitting Position</b>	:	Front
<b>Model Date</b>	:	05-Jun

<b>Or. Caliper</b>	:	
<b>WVA</b>	:	
<b>FMSI</b>	:	7870-D969
<b>Length</b>	:	135.6
<b>Width</b>	:	66
<b>Thickness</b>	:	15.5