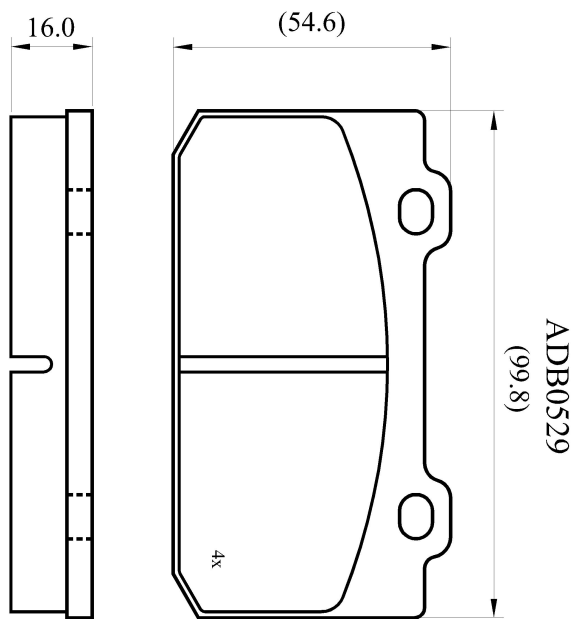


**Make: NISSAN**

**Model: Cherry Europe**

**Part Number: ADB0529**

**Vehicle Manufacturing/Engine:**



## Specifications

<b>Fitting Position</b>	:	Front
<b>Model Date</b>	:	01/83-01/85
<b>Or. Caliper</b>	:	Ate
<b>WVA</b>	:	20944
<b>FMSI</b>	:	
<b>Length</b>	:	99.8
<b>Width</b>	:	54.6
<b>Thickness</b>	:	16