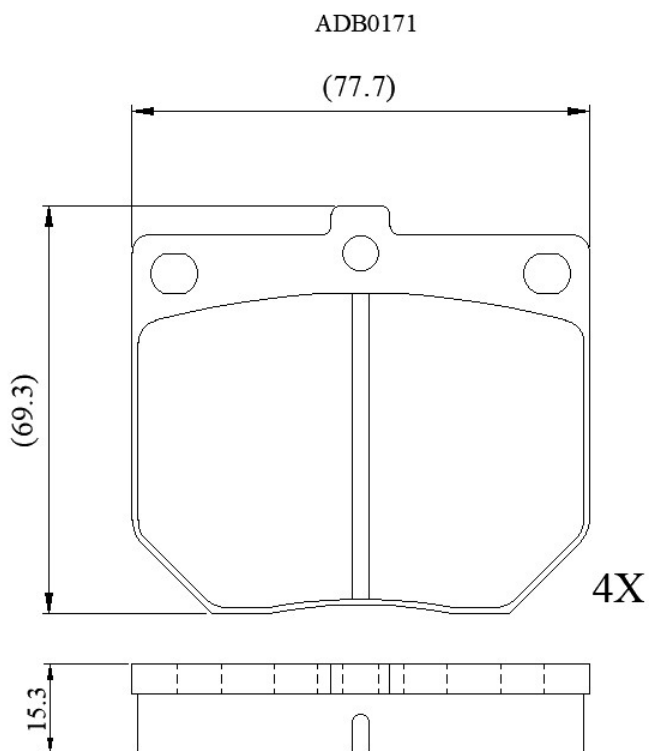


Make: NISSAN

Model: Laurel

Part Number: ADB0171

Vehicle Manufacturing/Engine:



Specifications

Fitting Position	:	Front
Model Date	:	10/75-01/77
Or. Caliper	:	Sumitomo
WVA	:	20289
FMSI	:	
Length	:	77.7
Width	:	69.3
Thickness	:	15.3