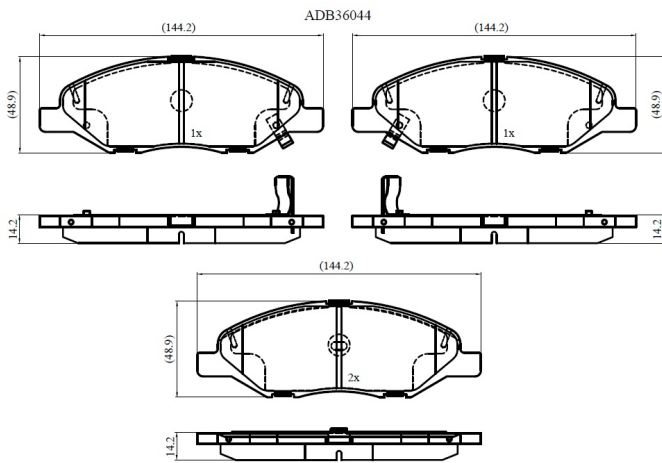


**Make: NISSAN**

**Model: NOTE**

**Part Number: ADB36044**

**Vehicle Manufacturing/Engine:**



### Specifications

<b>Fitting Position</b>	:	Front
<b>Model Date</b>	:	03/2006->11/2007
<b>Or. Caliper</b>	:	
<b>WVA</b>	:	

<b>FMSI</b>	:	
<b>Length</b>	:	144.2
<b>Width</b>	:	48.9
<b>Thickness</b>	:	14.2