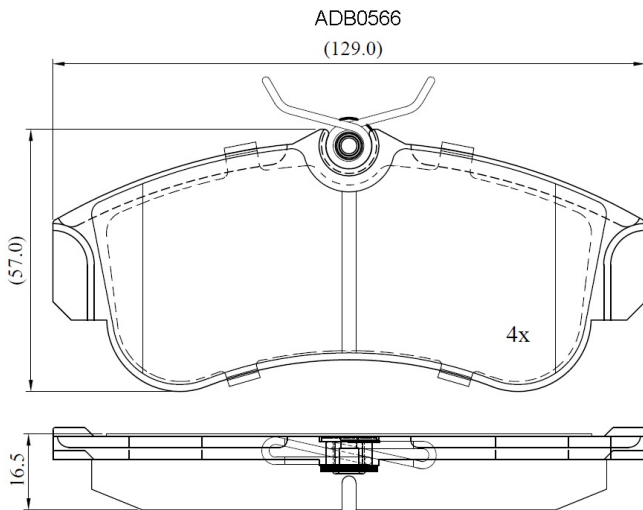


Make: NISSAN

Model: Primera (->03/02)

Part Number: ADB0566

Vehicle Manufacturing/Engine:



Specifications

| | | |
|-------------------------|---|-------------|
| Fitting Position | : | Front |
| Model Date | : | 05/93-12/96 |
| Or. Caliper | : | Lucas |

| | | |
|------------------|---|-------|
| WVA | : | 21546 |
| FMSI | : | |
| Length | : | 129 |
| Width | : | 57 |
| Thickness | : | 16.5 |