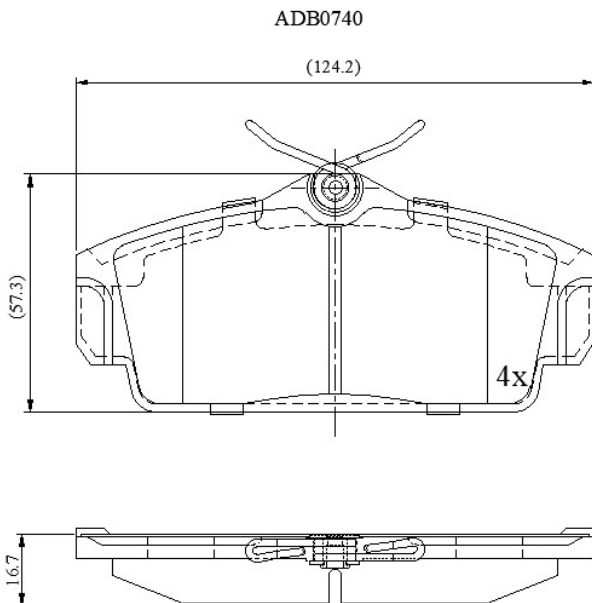


**Make: NISSAN**

**Model: Primera (->03/02)**

**Part Number: ADB0740**

**Vehicle Manufacturing/Engine:**



## Specifications

**Fitting Position**

:

Front

<b>Model Date</b>	:	10/96-03/02
<b>Or. Caliper</b>	:	Lucas
<b>WVA</b>	:	23463
<b>FMSI</b>	:	
<b>Length</b>	:	124
<b>Width</b>	:	57.3
<b>Thickness</b>	:	17.2