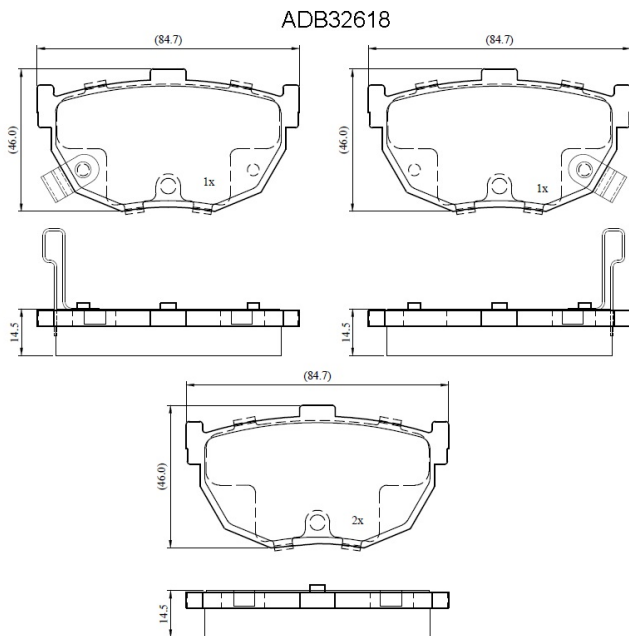


Make: NISSAN

Model: Stanza

Part Number: ADB32618

Vehicle Manufacturing/Engine:



Specifications

Fitting Position

:

Rear

Model Date	:	90-92
Or. Caliper	:	
WVA	:	
FMSI	:	D323
Length	:	84.7
Width	:	46
Thickness	:	13.7