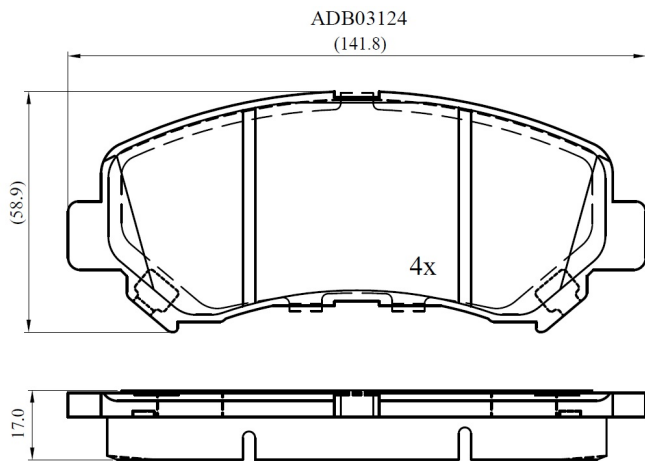


**Make: NISSAN**

**Model: X-TRAIL II**

**Part Number: ADB03124**

**Vehicle Manufacturing/Engine:**



### Specifications

<b>Fitting Position</b>	:	Front
<b>Model Date</b>	:	2007-2013
<b>Or. Caliper</b>	:	
<b>WVA</b>	:	24632

<b>FMSI</b>	:	
<b>Length</b>	:	141.8
<b>Width</b>	:	58.9
<b>Thickness</b>	:	17