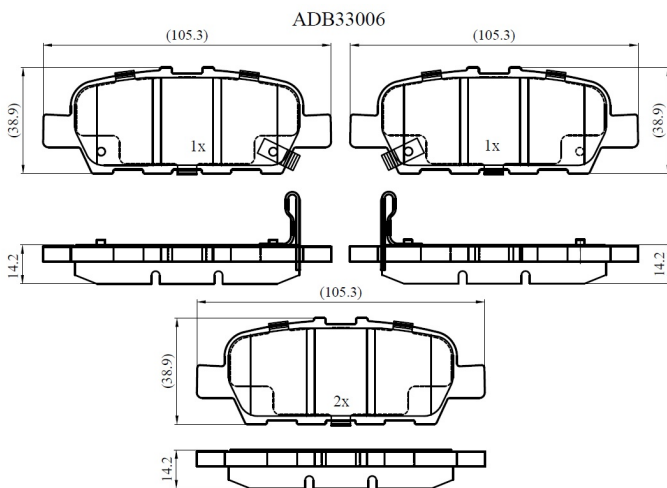


**Make: NISSAN**

**Model: X-TRAIL III**

**Part Number: ADB33006**

**Vehicle Manufacturing/Engine:**



## Specifications

<b>Fitting Position</b>	:	Rear
<b>Model Date</b>	:	2015-
<b>Or. Caliper</b>	:	
<b>WVA</b>	:	23871

<b>FMSI</b>	:
<b>Length</b>	:
<b>Width</b>	:
<b>Thickness</b>	: