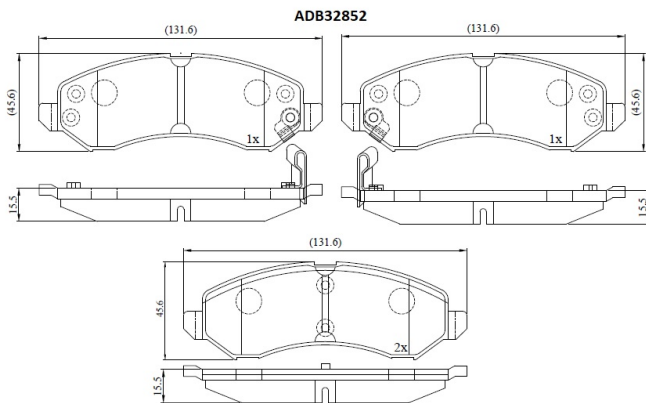


Make: OPEL

Model: ASTRA H Estate

Part Number: ADB32852

Vehicle Manufacturing/Engine:



Specifications

| | | |
|-------------------------|---|-----------|
| Fitting Position | : | Rear |
| Model Date | : | 2009-2010 |
| Or. Caliper | : | |
| WVA | : | 23417 |
| FMSI | : | |

| | |
|------------------|---|
| Length | : |
| Width | : |
| Thickness | : |