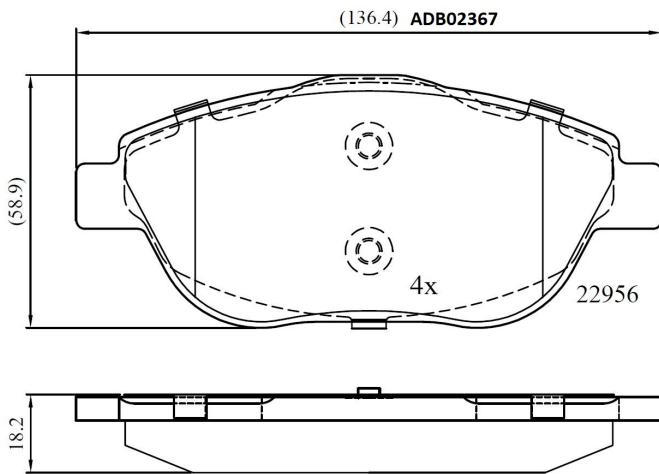


**Make: OPEL**

**Model: CROSSLAND X**

**Part Number: ADB02367**

**Vehicle Manufacturing/Engine:**



### Specifications

<b>Fitting Position</b>	:	Front
<b>Model Date</b>	:	3/2017 >
<b>Or. Caliper</b>	:	
<b>WVA</b>	:	24883

<b>FMSI</b>	:	
<b>Length</b>	:	136.4
<b>Width</b>	:	58.9
<b>Thickness</b>	:	18.2