

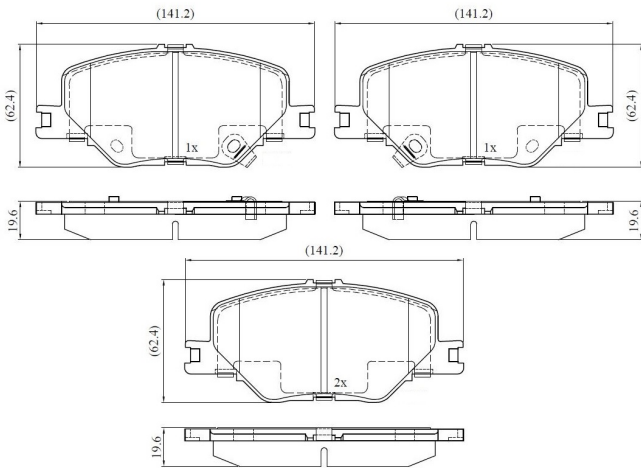
**Make: OPEL**

**Model: INSIGNIA B Country Tourer**

**Part Number: ADB32370**

**Vehicle Manufacturing/Engine:**

**ADB32370**



### Specifications

<b>Fitting Position</b>	:	Front
<b>Model Date</b>	:	6/2017 >

<b>Or. Caliper</b>	:	
<b>WVA</b>	:	22,83,82,28,39,22,840
<b>FMSI</b>	:	
<b>Length</b>	:	141.2
<b>Width</b>	:	62.4
<b>Thickness</b>	:	19.6