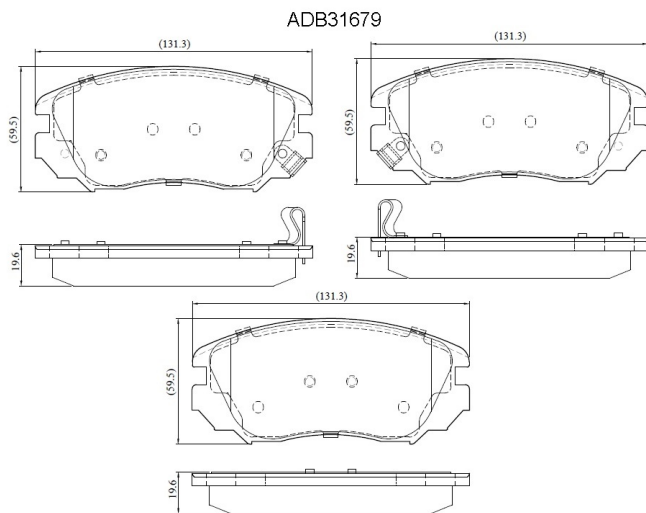


**Make: OPEL**

**Model: Insignia**

**Part Number: ADB31679**

**Vehicle Manufacturing/Engine:**



## Specifications

<b>Fitting Position</b>	:	Front
<b>Model Date</b>	:	07/08-->
<b>Or. Caliper</b>	:	Mondo

<b>WVA</b>	:	24,41,52,44,16,24,417
<b>FMSI</b>	:	
<b>Length</b>	:	131.5
<b>Width</b>	:	59.5
<b>Thickness</b>	:	19.0/19.6