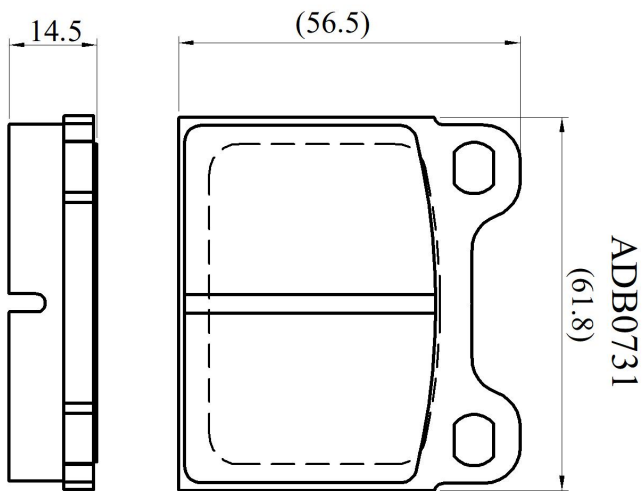


**Make: OPEL**

**Model: Manta A**

**Part Number: ADB0731**

**Vehicle Manufacturing/Engine:**



## Specifications

<b>Fitting Position</b>	:	Rear
<b>Model Date</b>	:	01/70-07/75

<b>Or. Caliper</b>	:	Ate
<b>WVA</b>	:	20034
<b>FMSI</b>	:	
<b>Length</b>	:	61.8
<b>Width</b>	:	56.5
<b>Thickness</b>	:	14.5