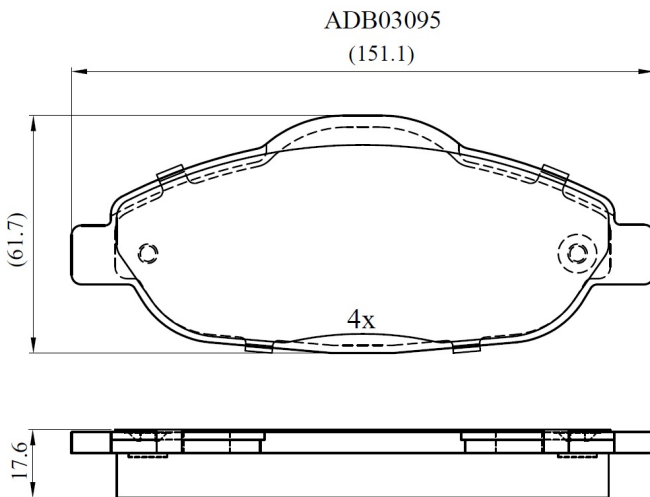


**Make: PEUGEOT**

**Model: 3008 Van**

**Part Number: ADB03095**

**Vehicle Manufacturing/Engine:**



### Specifications

<b>Fitting Position</b>	:	Front
<b>Model Date</b>	:	2009-2016
<b>Or. Caliper</b>	:	

<b>WVA</b>	:	24660
<b>FMSI</b>	:	
<b>Length</b>	:	151.1
<b>Width</b>	:	61.7
<b>Thickness</b>	:	17.6