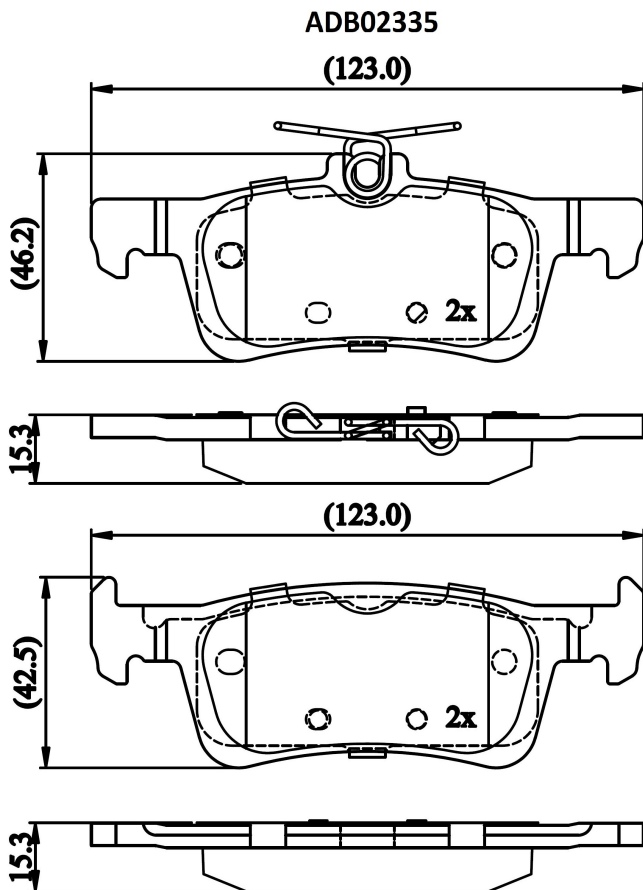


**Make: PEUGEOT**

**Model: 308 II**

**Part Number: ADB02335**

**Vehicle Manufacturing/Engine:**



### Specifications

**Fitting Position**

:

Rear

<b>Model Date</b>	:	6/2017 >
<b>Or. Caliper</b>	:	
<b>WVA</b>	:	2,58,41,25,842
<b>FMSI</b>	:	
<b>Length</b>	:	123
<b>Width</b>	:	46.20/42.50
<b>Thickness</b>	:	15.3