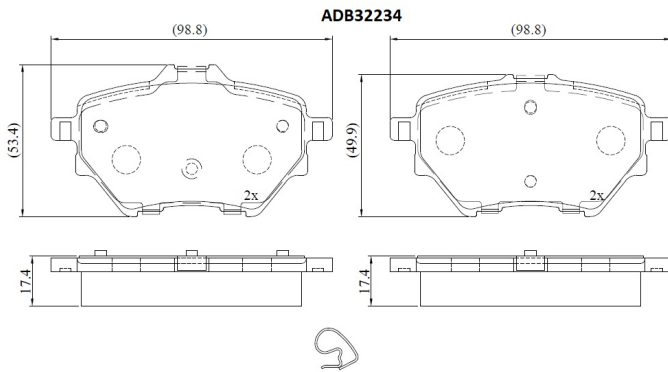


Make: PEUGEOT

Model: 308 II

Part Number: ADB32234

Vehicle Manufacturing/Engine:



Specifications

Fitting Position	:	Rear
Model Date	:	09/13-
Or. Caliper	:	
WVA	:	2,58,39,25,840
FMSI	:	

Length	:	98.8
Width	:	50.10/53.50
Thickness	:	17.4