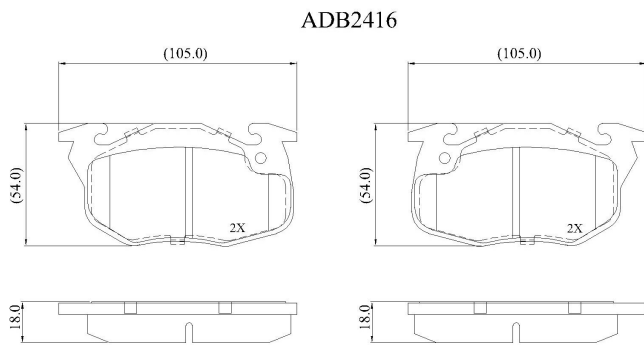


Make: PEUGEOT

Model: 405

Part Number: ADB2416

Vehicle Manufacturing/Engine:



Specifications

| | | |
|-------------------------|---|----------------|
| Fitting Position | : | Front |
| Model Date | : | 1988-1992 |
| Or. Caliper | : | |
| WVA | : | 2,10,61,20,906 |
| FMSI | : | |

| | | |
|------------------|---|-----|
| Length | : | 105 |
| Width | : | 54 |
| Thickness | : | 18 |