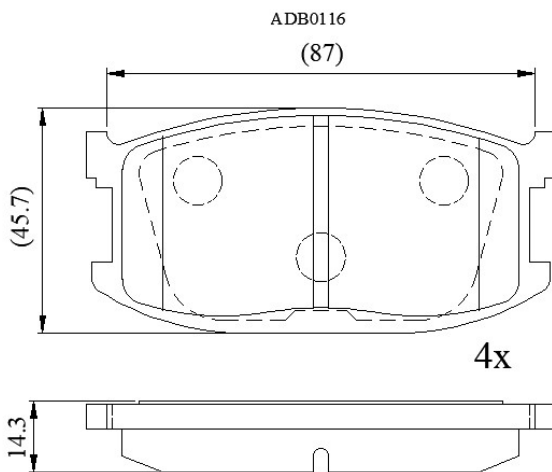


Make: SAO

Model: Penza

Part Number: ADB0116

Vehicle Manufacturing/Engine:



Specifications

Fitting Position	:	Front
Model Date	:	08/91-01/94

Or. Caliper	:	Akebono
WVA	:	20760
FMSI	:	
Length	:	95
Width	:	45.7
Thickness	:	14.3