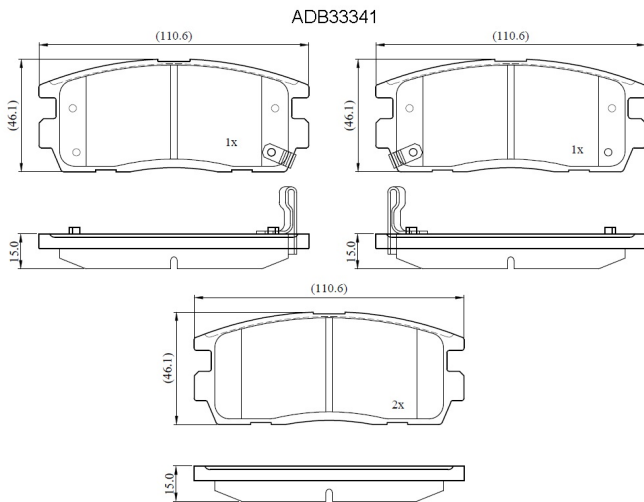


**Make: SATURN**

**Model: TRUCK Green Line**

**Part Number: ADB33341**

**Vehicle Manufacturing/Engine:**



## Specifications

<b>Fitting Position</b>	:	Rear
<b>Model Date</b>	:	09-
<b>Or. Caliper</b>	:	

<b>WVA</b>	:	
<b>FMSI</b>	:	8391-D1275
<b>Length</b>	:	110.6
<b>Width</b>	:	46.1
<b>Thickness</b>	:	15