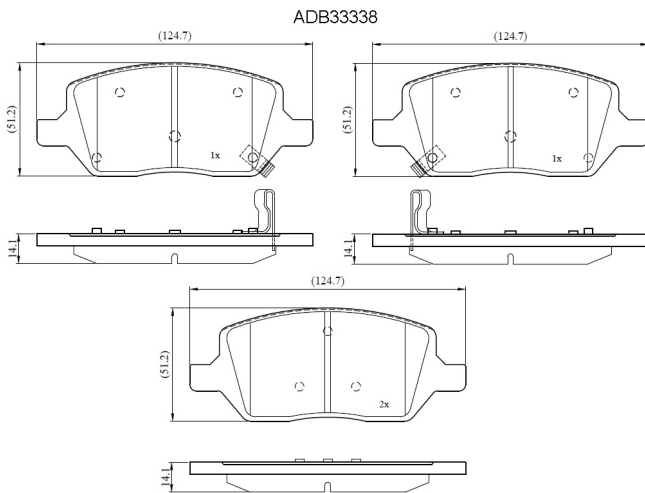


**Make: SATURN**

**Model: TRUCK Relay**

**Part Number: ADB33338**

**Vehicle Manufacturing/Engine:**



### Specifications

|                         |   |        |
|-------------------------|---|--------|
| <b>Fitting Position</b> | : | Rear   |
| <b>Model Date</b>       | : | 05-Jul |
| <b>Or. Caliper</b>      | : |        |

|                  |   |            |
|------------------|---|------------|
| <b>WVA</b>       | : |            |
| <b>FMSI</b>      | : | 7999-D1093 |
| <b>Length</b>    | : | 124.6      |
| <b>Width</b>     | : | 51.1       |
| <b>Thickness</b> | : | 14.1       |