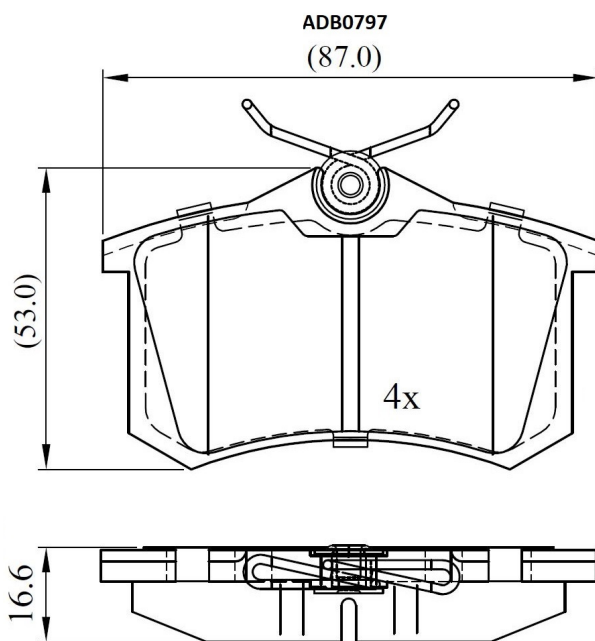


**Make: SKODA**

**Model: Superb**

**Part Number: ADB0797**

**Vehicle Manufacturing/Engine:**



### Specifications

**Fitting Position**

:

Rear

<b>Model Date</b>	:	04/02->
<b>Or. Caliper</b>	:	Lucas
<b>WVA</b>	:	20961
<b>FMSI</b>	:	
<b>Length</b>	:	87
<b>Width</b>	:	53
<b>Thickness</b>	:	17