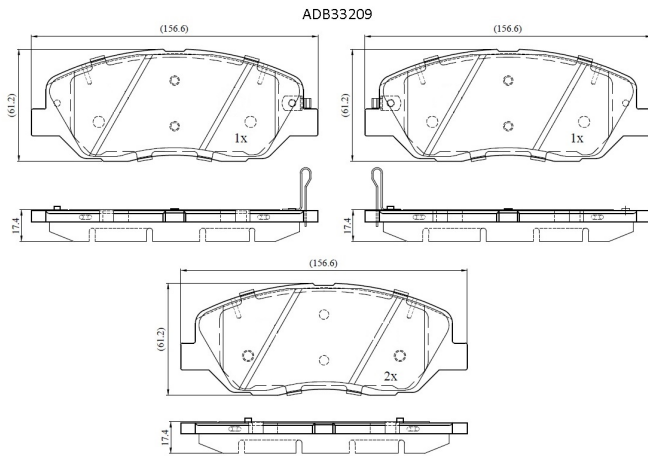


**Make: SSANGYONG**

**Model: KORANDO VAN**

**Part Number: ADB33209**

**Vehicle Manufacturing/Engine:**



### Specifications

<b>Fitting Position</b>	:	Front
<b>Model Date</b>	:	2015-
<b>Or. Caliper</b>	:	
<b>WVA</b>	:	24351

<b>FMSI</b>	:	
<b>Length</b>	:	156.6
<b>Width</b>	:	61.2
<b>Thickness</b>	:	17.4