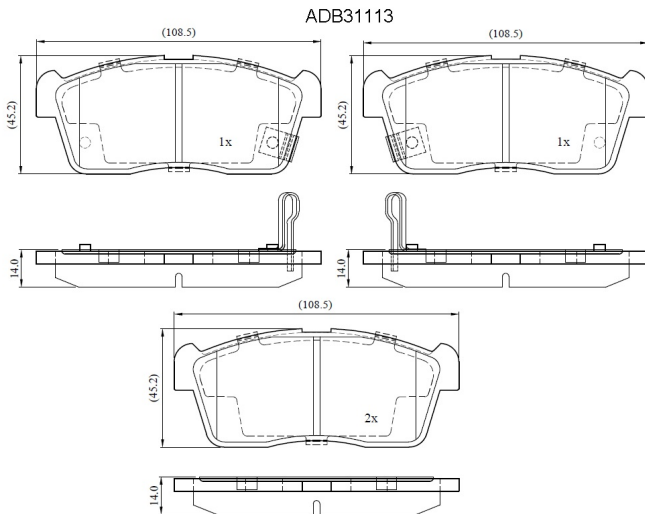


**Make: SUZUKI**

**Model: Carry (GA,DA series)**

**Part Number: ADB31113**

**Vehicle Manufacturing/Engine:**



### Specifications

<b>Fitting Position</b>	:	Front
<b>Model Date</b>	:	07/00-->
<b>Or. Caliper</b>	:	Akebono

<b>WVA</b>	:	23507
<b>FMSI</b>	:	
<b>Length</b>	:	108.5
<b>Width</b>	:	45.2
<b>Thickness</b>	:	14