

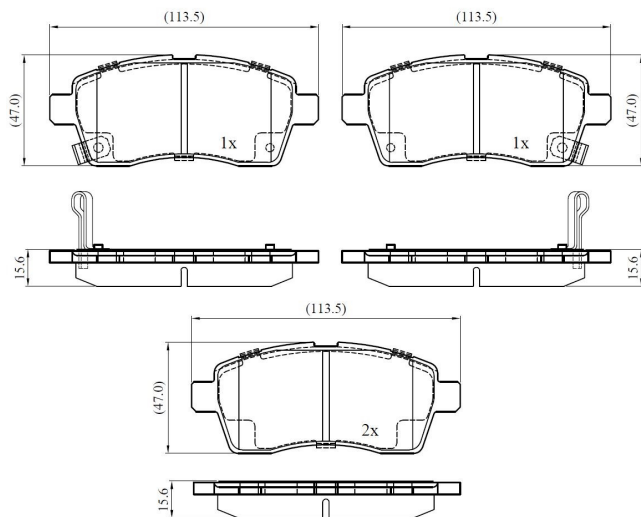
Make: SUZUKI

Model: IGNIS III

Part Number: ADB32439

Vehicle Manufacturing/Engine:

ADB32439



Specifications

Fitting Position	:	Front
Model Date	:	2016-

Or. Caliper	:	
WVA	:	2,28,24,22,850
FMSI	:	
Length	:	113.6
Width	:	47.4
Thickness	:	14.9