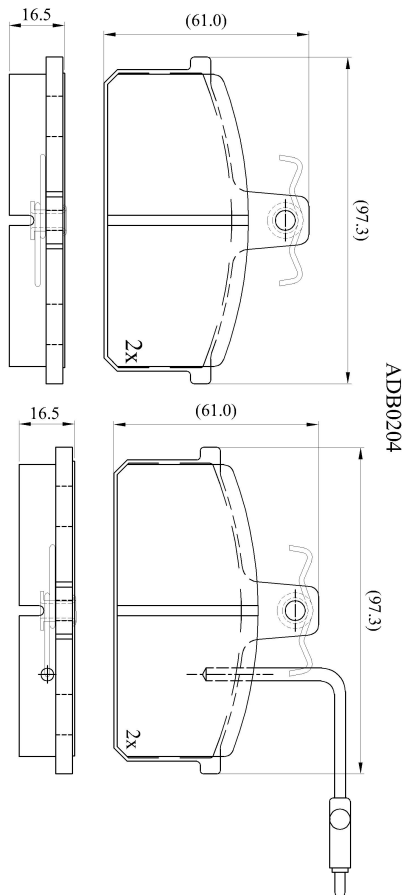


**Make: SUZUKI**

**Model: Santana**

**Part Number: ADB1204**

**Vehicle Manufacturing/Engine:**



## Specifications

|                         |   |             |
|-------------------------|---|-------------|
| <b>Fitting Position</b> | : | Front       |
| <b>Model Date</b>       | : | 01/82-01/90 |
| <b>Or. Caliper</b>      | : | Locus       |
| <b>WVA</b>              | : | 20708       |
| <b>FMSI</b>             | : |             |
| <b>Length</b>           | : | 97.3        |
| <b>Width</b>            | : | 61          |
| <b>Thickness</b>        | : | 16.5        |