

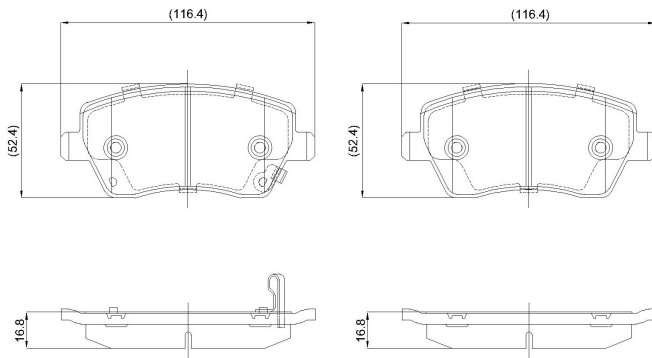
Make: SUZUKI

Model: Splash

Part Number: ADB32008

Vehicle Manufacturing/Engine:

ADB32008



Specifications

| | | |
|-------------------------|---|--------------|
| Fitting Position | : | Front |
| Model Date | : | 01/2008-> |
| Or. Caliper | : | |
| WVA | : | 23973, 24403 |

| | | |
|------------------|---|-------|
| FMSI | : | |
| Length | : | 116.6 |
| Width | : | 52.6 |
| Thickness | : | 16.8 |