

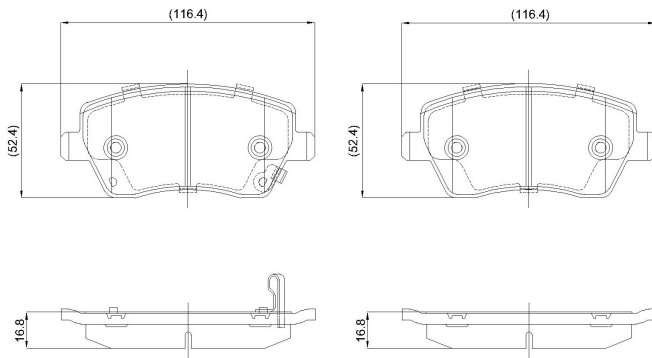
Make: SUZUKI

Model: Swift III

Part Number: ADB32008

Vehicle Manufacturing/Engine:

ADB32008



Specifications

Fitting Position	:	Front
Model Date	:	02-May
Or. Caliper	:	Lucas
WVA	:	2,39,73,24,403

FMSI	:	
Length	:	116.4
Width	:	52.4
Thickness	:	16.8